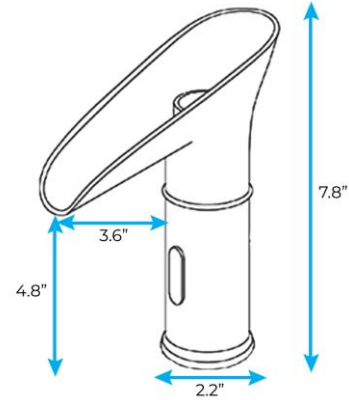


## BATHSELECT OIL RUBBED BRONZE HAND FREE COMMERCIAL AUTOMATIC SENSOR LED SPECS



### Specs:

- Innovative LED light technology.
- Durable solid brass construction.
- Sensor Faucet works with batteries.
- Built-in durable ceramic valves prevent leaks.
- LED color changes according to water temperature
- Temperature sensitive : 0-30C = Blue; 30-40C = Green; 41-50C = Red; 50-100C = Flashing Red
- Overall Height: 19cm(7.5")
- Spout Height: 12cm(4.7")
- Spout Reach: 8.5cm(3.3")
- Valve Type: Ceramic
- Drain Included: No
- Installation Type: Deck Mount  
Faucet Mount: Single Hole
- Product Dimension: 11.81in x 7.87in x 3.9
- Usage: Commercial / Residential



[Visit Product Page](#)